

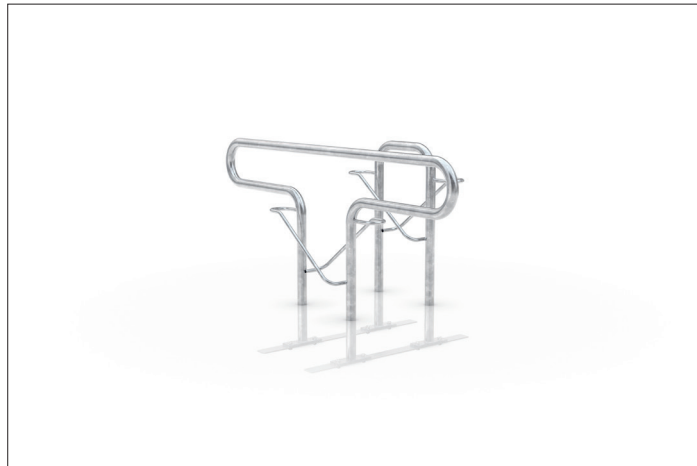
## Bicycle stands

# Strap 22 DS

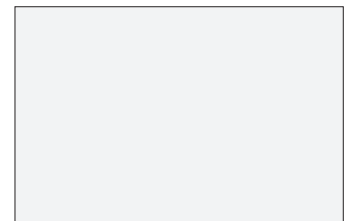
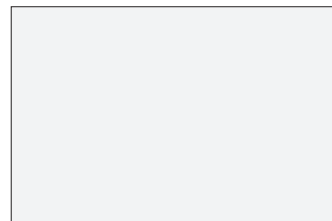
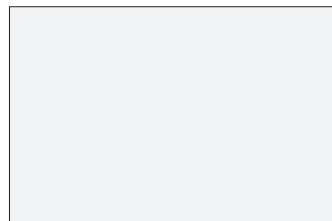
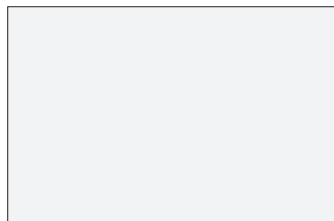
### With low/high setting for space-saving row systems

With clever front wheel brackets and low/high settings, this bicycle parking system can save valuable space without sacrificing comfort and security.

Article number	EAN	Width	Height	Depth
105600031	4250366531151	1000 mm	1010 mm	1800 mm



Parking spaces	4
Colour	Silver
Knee-high crossbar	No
Construction type	Screwed / assembly kit
Base material	Steel
Mounting type	Floor mounting
Bike spacing	500 mm
Configuration	Two-sided



The STRAP Safety Bicycle Rest has two integrated front wheel brackets that securely hold each bike. By combining low and high setting hoops – implemented in model 22 DS – it is possible to realise particularly space-saving row systems in which bicycles can be parked front and rear without the handlebars getting in

the way. Extended leaning hoops on request offer a comfortable locking connection possibility on the bicycle frame. An optional mounting rail, which is mounted with the brackets under paving, lowers the civil engineering costs, ensures a rock-solid stand and guarantees optimal spacing of the hoops to one another.

- + Stable, hot-dip galvanised tubular steel
- + Integrated front wheel mount
- + Space-saving, doubled-sided access possible
- + Suitable for every type of bicycle
- + Attachment to the bicycle frame possible

