

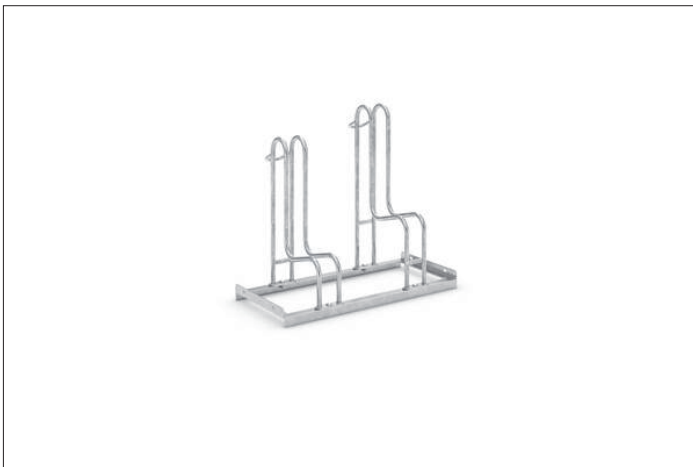
Bicycle racks

4052 BR

Where even balloon bikes park perfectly securely

Space-saving parking system with high parking hoops also for bikes with up to 64 mm wide tyres or 29" wheels. Speedy delivery and self-assembly.

Article number	EAN	Width	Height	Depth
105800001	4250366514697	780 mm	720 mm	390 mm



Parking spaces	2
Colour	Silver
Weight	10,60 kg
Construction type	Screwed / assembly kit
Base material	Steel
Mounting type	On the floor
Bike spacing	390 mm
Tyre width	64 mm
Configuration	One-sided
Positioning space depth	1850 mm



The Stand Parker 4000 BR also offers enough space for tyre widths up to 64 mm or 29 inch wheels. As for the 4000 model, the exceptionally high parking hoops prevent the bicycles from toppling over and consequent rim damage. Simultaneously, they offer a secure connection for locks. To save valuable space, bicycles can be parked height-offset or also double-sided on request. The

parking space depth is approx. 1850 mm for single-sided parking and approx. 3200 mm for double-sided. Bicycle parking facilities for modern bicycles with wider tyres can be set up through quick DIY assembly after speedy delivery via parcel service. Ground anchors and mounting brackets available as accessories.

- + Robust, corrosion-protected steel construction
- + Toppling protection through high parking hoops
- + For bikes with up to 64 mm wide tyres
- + Suitable for 29-inch wheels
- + Speedy economical shipping

