

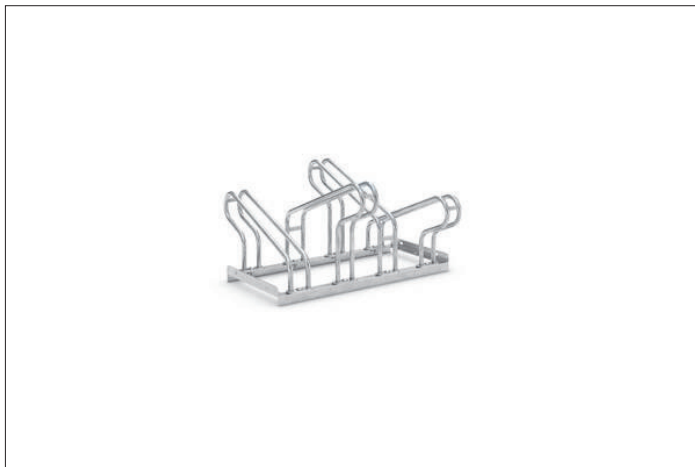
## Bicycle racks

# 2154 BF

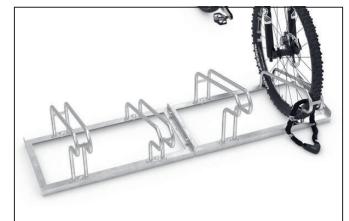
### The popular hoop parker now also for wide bikes

Galvanised steel construction with robust tubular hoops and two to twelve parking spaces for extra-wide bicycles. Space saving height offset. Pre-assembled.

| Article number | EAN           | Width  | Height | Depth  |
|----------------|---------------|--------|--------|--------|
| 105700068      | 4250366514000 | 780 mm | 415 mm | 687 mm |



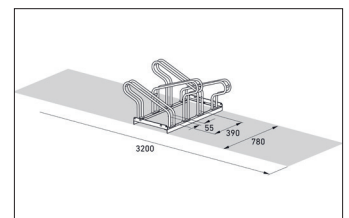
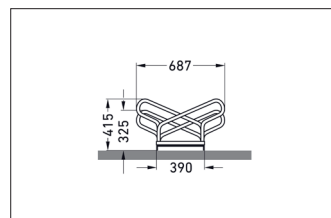
|                         |                        |
|-------------------------|------------------------|
| Parking spaces          | 4                      |
| Colour                  | Silver                 |
| Weight                  | 15,40 kg               |
| Construction type       | Screwed / assembly kit |
| Base material           | Steel                  |
| Mounting type           | On the floor           |
| Bike spacing            | 390 mm                 |
| Tyre width              | 55 mm                  |
| Configuration           | Two-sided              |
| Positioning space depth | 3200 mm                |



The Hoop Parker 2000 BF complements our best-selling model 1000. The special feature: here modern bicycles with wider handlebars park without stress with 390 mm spacing between wheels. Height-offset or also double-sided on request to save valuable space. Parking space depth is approx. 1850 mm for single-sided

parking, approx. 3200 mm for double-sided. Parking facilities for bicycles with wider handlebars can be quickly set up. Both models are compatible with one another. Ground anchors and mounting brackets are sold separately.

- + Robust, corrosion-protected steel construction
- + Alternate high/low setting
- + Optional for single or double-sided bike parking
- + Row/series connection (with an even number of spaces) and ground mounting possible
- + No assembly required



Further information on our products and contact options at: [www.wsm.eu/en](http://www.wsm.eu/en).  
No guarantee can be given for the completeness and correctness of the data and illustrations.