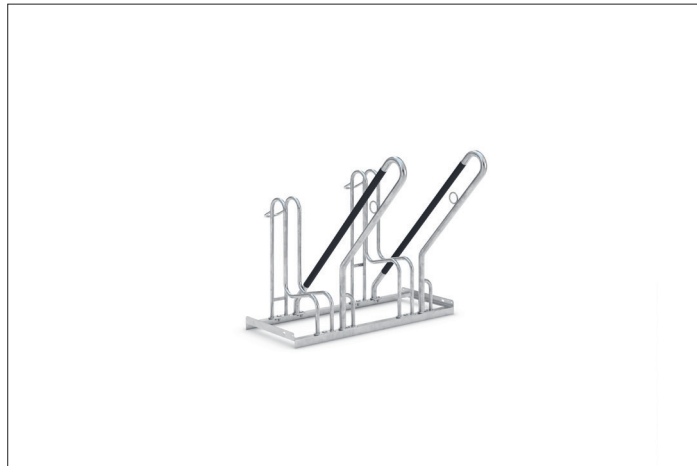


4702 XBF

Bicycle parking system with a plus on security and comfort

Leaning system with extra-secure parking hoops, frame rests and steel eyelets to protect even the highest quality bikes from damage and theft.

Article number	EAN	Width	Height	Depth
105800147	4250366534671	1000 mm	856 mm	867 mm



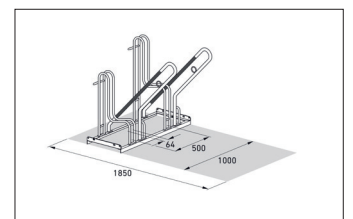
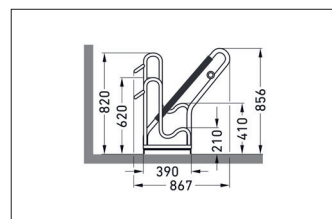
Parking spaces	2
Colour	Silver
Weight	19,00 kg
Construction type	Screwed / assembly kit
Base material	Steel
Mounting type	On the floor
Bike spacing	500 mm
Tyre width	64 mm
Configuration	One-sided
Positioning space depth	1850 mm



Particularly safe, with vertical format parking hoops, plastic-sheathed frame-rest and steel eyelets to protect even the highest quality bicycles from damage and theft – that’s what characterises the Parker with Frame Rest 4700 XBF. This makes safe parking for high-quality bicycles such as pedelecs and e-bikes even more comfortable. The 4700 XBF, with its extra-wide spacing between bicycles, ensures particularly easy parking for tyre widths of up

to 64 mm. The round steel eyelets integrated in the frame rests make locking and unlocking particularly easy and secure. All in all, the highest level of parking comfort for your customers, employees and guests or yourself. The alternating low/high hoop setting saves valuable space. The system is prefabricated for ground mounting and series connection. Ground mounting brackets included.

- + Free-standing, bolted tubular steel construction
- + Vertical parking hoops and sheathed frame rest
- + For tyres up to 64 mm wide
- + Integrated eyelets to prevent theft
- + Prefabricated for row/series connection



Further information on our products and contact options at: www.wsm.eu/en.
No guarantee can be given for the completeness and correctness of the data and illustrations.